

HINO 238

4 x 2 FORWARD-CONTROL
 GVW 23,000 lbs.
 ENGINE MODEL J08E-TA (Turbo Intercooled)

DIMENSIONS (On standard specification)

Production Code		ND8JLSA	ND8JMSA	ND8JP5A	ND8JR5A	ND8JT5A
Wheelbase Code		L	M	P	R	T
Wheelbase	A in.	187.0	205.0	217.0	235.0	253.0
Overall length	B in.	302.6	320.6	354.6	372.6	390.6
Overall width	C in.	95.7	95.7	95.7	95.7	95.7
Overall height	D in.	105.9	105.9	105.9	105.9	105.9
Cab to axle	E in.	119.6	137.6	149.6	167.6	185.6
Rear overhang	F in.	75.0	75.0	97.0	97.0	97.0
Frame height at						
Front axle	G in.	36.2	36.2	36.2	36.2	36.2
Rear axle	H in.	39.2	39.2	39.2	39.2	39.2
Road clearance						
(at diff.axle)	J in.	10.6	10.6	10.6	10.6	10.6
Tread						
Front	K in.	78.0	78.0	78.0	78.0	78.0
Rear	L in.	72.0	72.0	72.0	72.0	72.0
Turning radius						
Tire	in.	304.7	331.1	348.8	375.2	401.6
Wall to wall	in.	325.6	352.0	369.7	396.1	422.4

CHASSIS WEIGHTS (On std. spec.)

Total weight	MT lb.	9,315	9,405	9,525	9,555	9,625
Front axle	MT lb.	5,940	6,030	6,050	6,105	6,175
Rear axle	MT lb.	3,375	3,375	3,470	3,450	3,450
Total weight	AT lb.	9,235	9,335	9,445	9,490	9,545
Front axle	AT lb.	5,875	5,965	5,985	6,040	6,095
Rear axle	AT lb.	3,360	3,370	3,460	3,450	3,450

POWER LINE & PERFORMANCE 23,000 lbs. GVWR

10.00R22.5-14 tires. (Option ratio is combined with 225/70R19.5 tire.)

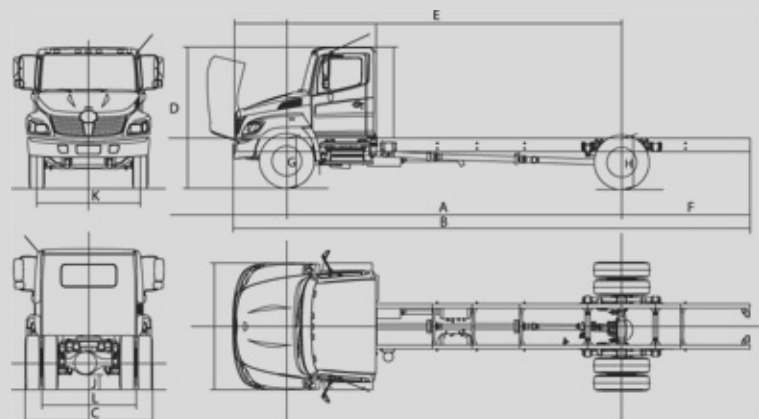
Power line	Manual		Automatic	
	STD.	OPT.	OPT.	OPT.
Max. speed mph	78	78	78	77
Transmission Model	Eaton FS5406A		Allison 2400	
Type	Six-speed Direct drive		Five-speed	
	synchromesh 1st-6th		automatic	
Ratios	1st.	9.010	3.512	
	2nd.	5.270	1.896	
	3rd.	3.220	1.439	
	4th.	2.040	1.000	
	5th.	1.360	0.737	
	6th.	1.000	-	
	Rev.	8.630	5.086	
Rear axle gear ratios	3.900	3.730	5.290	5.130

ENGINE

Model	HINO J08E-TA - 2004 EPA Certified
Type	Diesel 4-cy., 6-cyl. in-line, water-cooled
Combustion system	Direct injection type
Max. output (SAE Gross)	220HP at 2,500 rpm
Max. torque (SAE Gross)	520 lb.-ft. at 1,500 rpm
Bore and stroke	4.41 x 5.12 in.
Piston displacement	8 L
Fuel system	Common rail
Governor	Electronically controlled
Intake system	Turbocharged and intercooled
Air cleaner	Paper filter type ("DONALDSON")
Fan clutch	Bimetal thermostat sensor regulates fan speed



WWW.HINO.COM [T]845.365 1400



SEE THE 238 IN ACTION AT WWW.HINO.COM

HINO 238

4 x 2 FORWARD-CONTROL, GVW 23,000 lbs.
ENGINE MODEL J08E-TA (Turbo Intercooled) Spec.No.SS-ND001

WEIGHT CAPACITIES

Front axle	lbs.	8,000
Rear axle	lbs.	17,500
Front spring	lbs.	8,000
Rear spring	lbs.	19,000

LIQUID CAPACITIES

Fuel tank	gal./US	52
Cooling system	gal./US	5.68 : Allison MD 3060
		5.55 : Eaton FS5406

AXLE / SUSPENSION

Front axle	MFS-8 series reversed Elliot, "I" beam
Front spring	Taper-leaf springs shock absorbers
Rear axle	RS17-145 series Full-floating, single reduction Single-speed by hypoid gears
Rear spring	Semi-elliptic main and auxiliary helper-leaf spring

FRAME

Ladder type	Straight C channel	
Width	in.	34
Yield strength	PSI	80,000
Resisting bending moment (one side) in_lbs.		1,031,900 no reinforcement

STEERING

Type	Telescopic and tilt steering column TRW-TAS65
------	--------------------------------------------------

BRAKES

Service brake	Hydraulic system with disc brake for front and rear wheels , with automatic adjustment	
Disc diameter x lining width x thickness in.	Front;	15.375 x 18.96 x 0.74
	Rear;	15.375 x 18.96 x 0.74
Control	Hydraulic dual circuit with Antilock Brake System(ABS)	
Parking brake	Mechanical, internal expanding acting on transmission output shaft	
Drum diameter in.	12 : FS5406A 9 : Allison 2400	

CLUTCH

Type	Dry single plate with damper springs EATON-SPICER SAS1401 series
Facing material	Cerametallic
Facing outside diameter in.	13.80
Control	Hydraulic

WHEELS / TIRES

6 Wheels (Steel)	22.5X8.25 10-stud disc.
6 Tires	10R22.5(G) - Goodyear

CAB EQUIPMENT

Cab construction	All steel welded
Seating	Three man
Driver's seat	Adjustable, reclining vinyl covered seat, coil suspension
Passenger's seat	Bench type, vinyl, 2 passenger
Seat belts	3-point type (driver and passenger), one 2-point type (center)
Air conditioner	Denso
Heater/Defroster	18,357 BTU/h
Mirrors outside rearview	Four, 1flat and 1convex at each side
Sun visors	Two
Windshield	Laminated
Windshield wipers	Dual electric, 2-speed and intermittent
Cruise control	Equipped

DASH INSTRUMENTATION

Meters and gauges ft. lb. system
Speedometer-mph (km/h)
Odometer (mile)
Fuel gauge
Coolant temperature gauge
Engine tachometer
Warning and buzzers
Oil pressure warning lamp and buzzer
Brake pressure warning lamp and buzzer
Coolant level warning lamp and buzzer
Battery charging warning lamp
High beam indicator lamp
Turn signal pilot lamp
Parking brake warning lamp
Engine control system warning lamp
ABS warning lamp

ELECTRICAL EQUIPMENT

Batteries	Two, parallel connection, each 12 V
Capacity	1200 CCA
Alternator	12 V, 100 A, brush (Delco)
Starter	12 V, 4.8 kW
Radio	AM/FM radio with CD player
Headlamps	2 sealed beam, white
Daytime running lamps	
Stop/Tail lamps	
Back-up lamps	
Turn signal and hazard warning lamps	
Dome lamp	
Front side marker lamps	
Clearance lamps (front)	

CHASSIS EQUIPMENT

Fuel pre-filter	Pre-filter (dust) and sediment (water)
Reflectors	Two rear, two front side
Hook	One at front

Options

<input type="checkbox"/> Chrome front grille *
<input type="checkbox"/> Cloth covered seats
<input type="checkbox"/> Single passenger's seat - Adjustable reclining
<input type="checkbox"/> Power windows
<input type="checkbox"/> Rear spring - with stabilizer
<input type="checkbox"/> Rear spring - with dual shock absorbers
<input type="checkbox"/> Alternator - 12 V, 105 A, brushless (Denso)
<input type="checkbox"/> Engine block-heater *
<input type="checkbox"/> Heated mirror *
<input type="checkbox"/> Cold weather package (Block heater, Heated mirror, Glow plug and Heated pre-filter/sediment)
<input type="checkbox"/> Tire size - 225/70R19.5(G) *
<input type="checkbox"/> Fuel tank - 52 x 2

* Contact dealer for availability

NOTE : All specifications of the products are within normal manufacturing allowances and tolerances. HINO MOTORS SALES U.S.A.,INC. reserves the right to alter specifications at any time without previous notice. Some optional items of equipment may require extra time due to the need for their adaptation on the product line.

SEE THE 238 IN ACTION AT WWW.HINO.COM